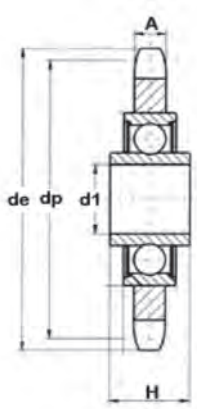


# Chain Idler



Idler Sprockets in conjunction with Tensioners provide an efficient solution to maintaining smooth running drives, inhibiting the effects of chain stretch and ensuring chains don't jump their drives.

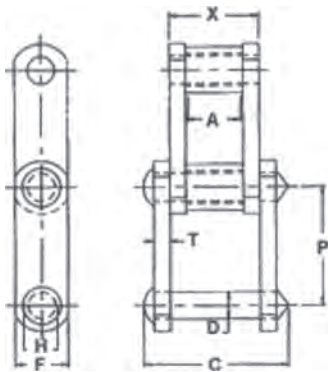
These prefabricated Idler Sprockets employ a standard precision roller bearing.

Available in a range of sizes with pins to suit, this range of Idler Sprockets are designed for use in conjunction with the SE Series Tensioners.



| Part No          | Pitch  | Teeth | de    | dp    | A    | D1 | Bolt   | H    |
|------------------|--------|-------|-------|-------|------|----|--------|------|
| SE15/SE18-06B-15 | 3/8"   | 15    | 49.5  | 45.8  | 5.3  | 10 | 10X55  | 9    |
| SE15/SE18-08B-15 | 1/2"   | 15    | 65.9  | 61.1  | 7.2  | 10 | 10X55  | 9    |
| SE27-08B-15      | 1/2"   | 15    | 65.9  | 61.1  | 7.2  | 12 | 12X80  | 9    |
| SE27-10B-15      | 5/8"   | 15    | 83.2  | 76.4  | 9.1  | 12 | 12X80  | 10   |
| SE27-12B-15      | 3/4"   | 15    | 99.8  | 91.6  | 11.1 | 12 | 12X80  | 11.1 |
| SE38-10B-15      | 5/8"   | 15    | 83.2  | 76.4  | 9.1  | 20 | 20X100 | 14   |
| SE38-12B-15      | 3/4"   | 15    | 99.8  | 91.6  | 11.1 | 20 | 20X100 | 14   |
| SE38-16B-13      | 1"     | 13    | 117.7 | 106.1 | 16.2 | 20 | 20X100 | 16   |
| SE45-20B-13      | 1-1/4" | 13    | 147.5 | 132.7 | 18.5 | 20 | 20X130 | 18   |

# Combination Chain



| Chain | Pitch  | A     | C      | D     | E      | F     | H     | T    | X     | App. Kg/ft |
|-------|--------|-------|--------|-------|--------|-------|-------|------|-------|------------|
| C55   | 41.43  | 17.45 | 52.37  | 9.53  | 49.99  | 19.05 | 18.24 | 4.75 | 31.75 | 0.91       |
| C188  | 66.27  | 23.80 | 68.25  | 12.70 | 63.50  | 28.58 | 22.23 | 6.35 | 39.67 | 1.58       |
| C102B | 101.60 | 50.80 | 115.87 | 15.88 | 111.13 | 38.10 | 24.59 | 9.53 | 73.81 | 2.90       |